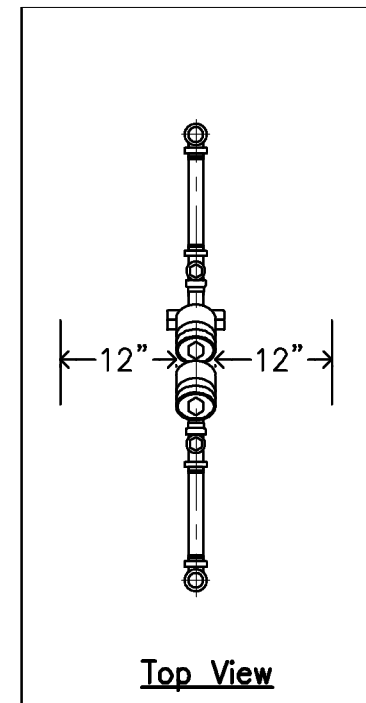


- ① Reduced Pressure Principle Backflow Prevention Assembly (See Note A)
- ② Sacramento Suburban Water District (SSWD) Meter Box



NOTES:

- A. The reduced pressure principle backflow prevention assembly shall be on the most current list of assemblies approved by University of Southern California (USC) and shall meet State and Federal low lead content requirements.
- B. In accordance with California Code of Regulations, Title 17, Section 7603(c), the reduced pressure principle backflow prevention assembly shall be installed a minimum of twelve inches (12") above **finished surface** and not more than thirty-six inches (36") above finished surface measured from the bottom of the assembly and with a minimum of twelve inches (12") side clearance.
- C. The reduced pressure principle backflow prevention assembly shall be installed directly downstream of and as close as practicable to the water meter. There shall be no tees or cross connections in between the backflow prevention assembly and the water meter.
- D. **This specification does not include local permitting agency requirements.**

James Arenz
James Arenz, Operations Manager

Sacramento Suburban Water District
Specification

**Reduced Pressure Principle
Backflow Prevention Assembly**
Revised: September 14, 2016
File Name: rp.dwg